



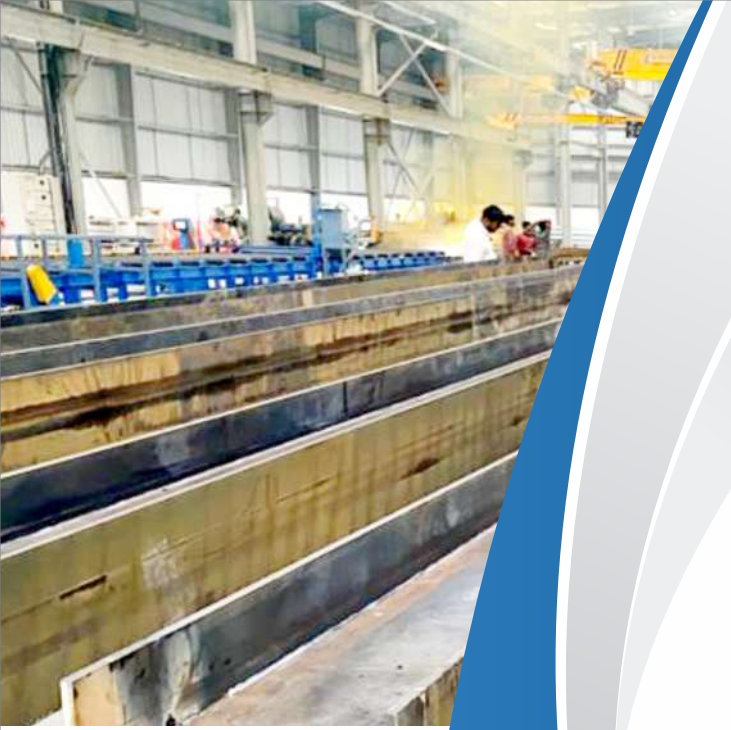
**KONART STEEL**  
**BUILDINGS PRIVATE LIMITED**  
*We Commit... We Deliver*



## Pre-Engineered Buildings



**BEST BRAND AWARD**



# Index

Vision, Mission and Company Profile	01
Management Profile	02
Insight of Manufacturing Unit	03
Standard Frames Types & Mezzanine	05
Cranes	06
Standard Staircase and Jack Beam	07
Type of Fascia	08
Standard Profile and Standard Panel Colours	09
Standard Flashings	10
Standard Accessories	11
Project Photos	12



## Vision

To be the most preferred innovative turnkey solution provider across the Pre-Engineered Buildings market segment.

## Mission

Konart Steel Buildings Pvt. Ltd. will stay committed for delivering high-quality Pre-Engineered Buildings in a time-bound manner. We shall strive to deliver value-added products by employing innovative technologies, Machines, methodologies, and motivated Human resources. We shall be focused on continuous improvement of our product & services while observing the highest business standards & work ethics.

## Company Profile

**Konart Steel Buildings Pvt Ltd (KSBPL)** is the most promising Pre-Engineered Building Solution provider having Plant & Corporate Office at Ahmedabad.

Konart Steel Buildings Pvt. Ltd. (KSBPL) started its operation in 2019 with the vision to give customized, reliable, prompt, and value-added services for the Design, Manufacturing, and installation of Pre-Engineered buildings.

KSBPL has a state-of-the-art manufacturing facility in the Ahmedabad district of Gujarat. KSBPL has all the modern and highly efficient machinery required to produce high-quality Pre-Engineered buildings. The production capacity of our plant is 24,000 MT per annum and It is expandable up to 35,000 MT per annum in the future. The manufacturing facility is spread over 1,50,000 Square feet area and having reserve space around 1,50,000 Square feet area for future expansion.

KSBPL has an in-house design team that consists of experienced and qualified designers and detailers. The design office is based in Hyderabad. KSBPL has an experienced project team in abundance to look after and ensure smooth execution of the project at the Site.

KSBPL is having a wide range of customer base in various sectors like Warehousing, Engineering, Pharmaceutical, Chemical, Food, Showroom, Multilevel Building, Automobile, Cold Storage Chains, Steel, etc.





## Management Profile

### About the Founders

Konart Steel Buildings is founded by three young professionals with rich experience in the field of the Pre-Engineered building segment. The Foray of founders in the entrepreneurial segment is guided by their streak to be a differentiator in the Pre-Engineered Buildings market and their strong market credentials.

### Mr. Sumit Rustogi

Mr. Sumit Rustogi is a young and dynamic person with graduation in BE Mechanical and post-graduation in MBA (Marketing & Finance). He is having experience of 15 years in the Pre-Engineered Buildings segment. He has rich experience in the PEB industry and executed about 1500 Buildings for various segments like Warehousing, Automotive, Textile, Process plants, Plastics, Chemical, Pharma, and Food, etc.

### Mr. Krishan K. Pathak

Mr. Krishan Kumar Pathak is a young professional with a bachelor's degree in technology (B. Tech-Mechanical). He has versatile experience in different engineering product segments & had worked with Indian and MNC organizations for the first 12 years of his carrier. Mr. Krishan also has a rich experience in handling projects for various segments for renowned organizations.

### Mr. Dhaval Patel

Dhaval Patel is having 12 years of experience in the execution of Pre-Engineered buildings successfully. He has proved his skills by timely & quality execution of many complex projects for Indian & offshore MNC organizations like ABB / Siemens / Ammann Apollo / Dow Agro sciences / MG Motors / HNG Float glass / Hamilton Housewares / AG Industries / Endurance / Badve Engineering & many more.



# Manufacturing Unit



**CNC Oxy Fuel Plasma**



**Automatic H-Beam Line**



**C/Z Profile Machine**



**Hi Rib Sheet Profile Machine**



**SSR Profile Machine**



**Sheet Slitting Machine**



**Shot Blasting Machine**



**CNC Punching Machine**





**CNC Sheet Bending Machine**



**Downtake Pipe Profile Machine**



**Angle Profile Machine**



**Downtake Elbow Machine**



**Sheet Curving Machine**

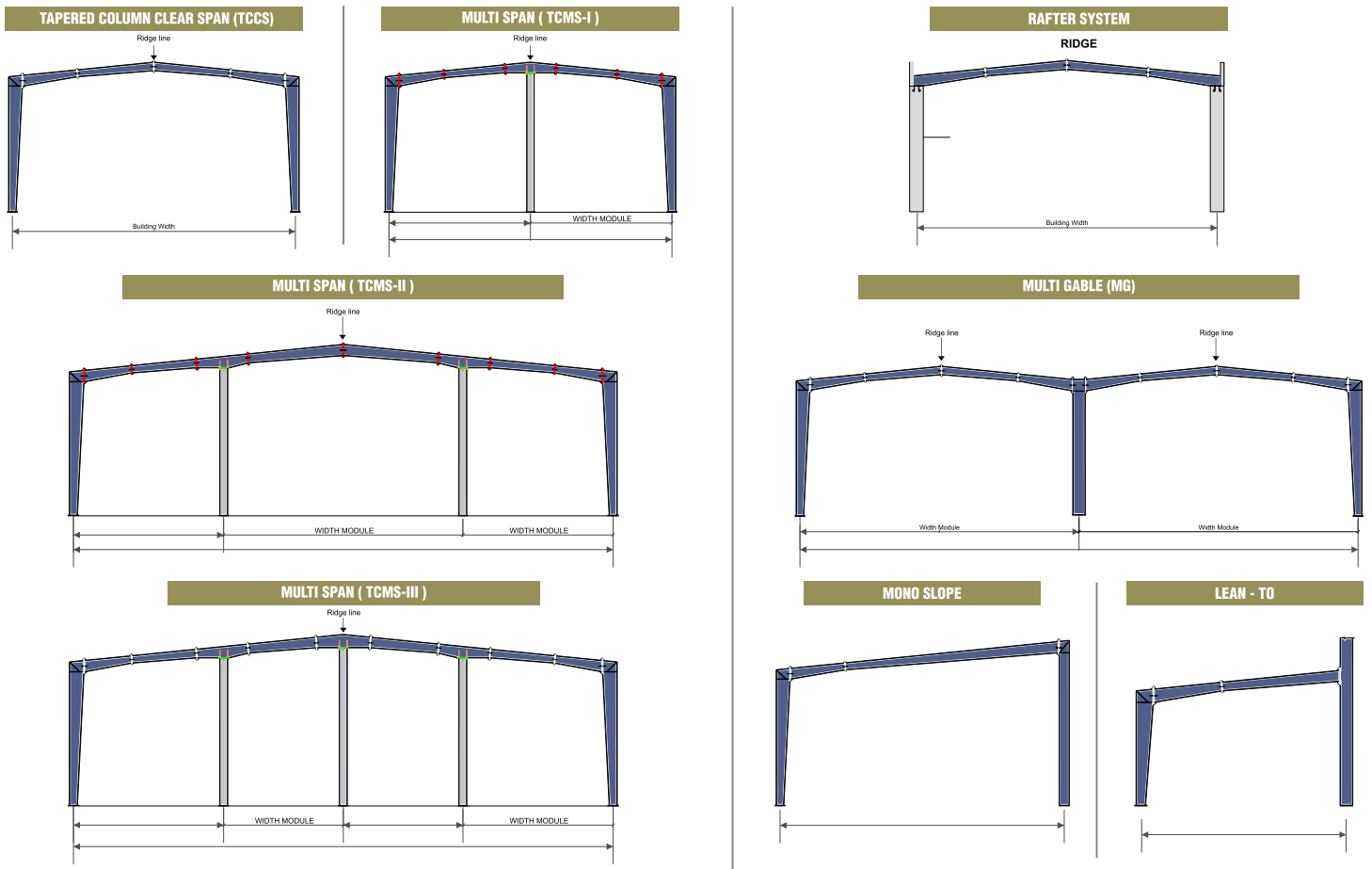


**Anchor bolt Threading Machine**

## Major Machineries

- ▶ CNC Oxy Fuel Plasma
- ▶ Automatic H-Beam Line
- ▶ C/Z Profile Machine
- ▶ Hi Rib Sheet Profile Machine
- ▶ SSR Profile Machine
- ▶ Sheet Slitting Machine
- ▶ Shot Blasting Machine
- ▶ CNC Punching Machine
- ▶ CNC Sheet Bending Machine
- ▶ Downtake Pipe Profile Machine
- ▶ Angle Profile Machine
- ▶ Downtake Elbow Machine
- ▶ Sheet Curving Machine
- ▶ Anchor bolt Threading Machine
- ▶ PHI Welding      ▶ Plate Bending Machine
- ▶ SAG Angle / FBC Profile Machine

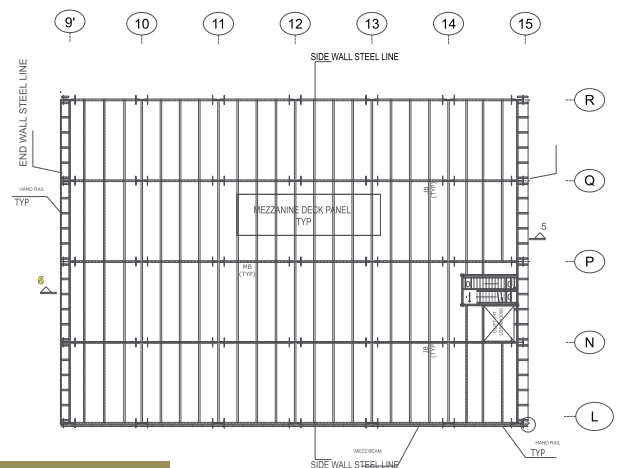
# STANDARD TYPE OF FRAME



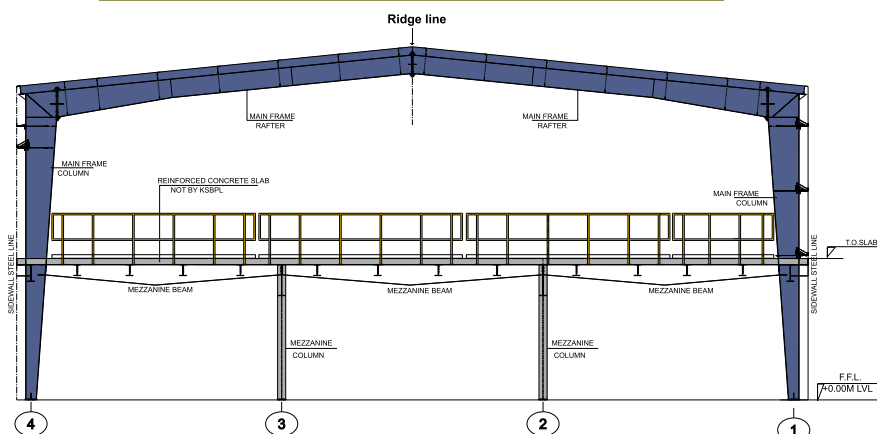
# MEZZANINE

Mezzanine floors are very common in PEB buildings nowadays as they are suitable for various applications like office, storage, processing plant, etc. KSBPL mezzanine floor consists of galvanized deck sheet or chequered plate as per the requirement of the project. This may be installed with Gratings also for special applications. The typical framing system of the mezzanine consists of beams & Joists.

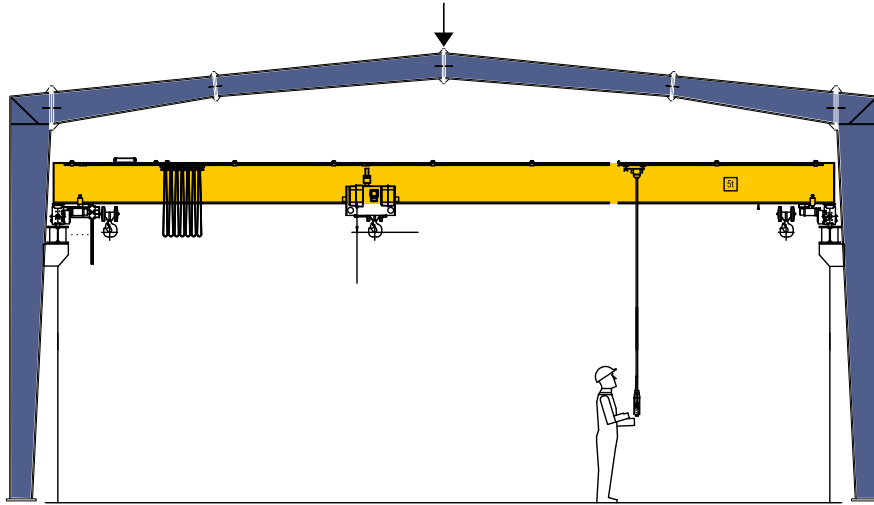
MEZZANINE FRAMING PLAN



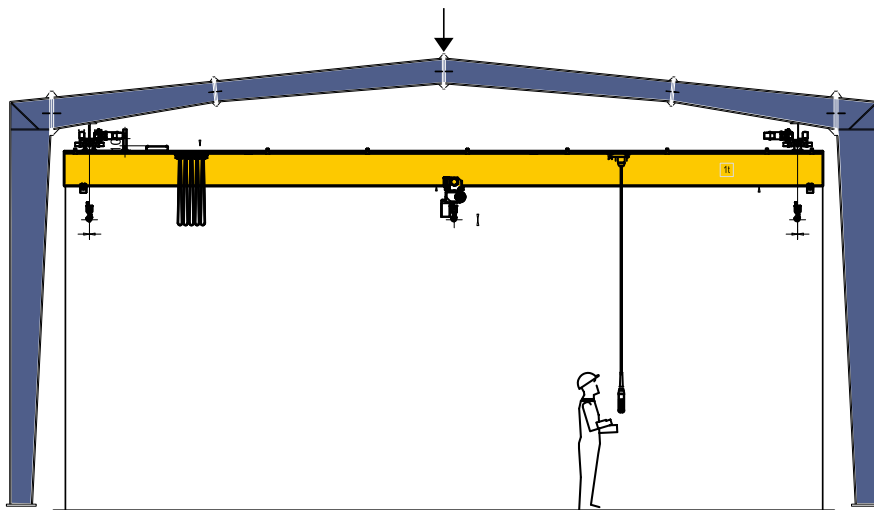
MEZZANINE FRAMING ELEVATION



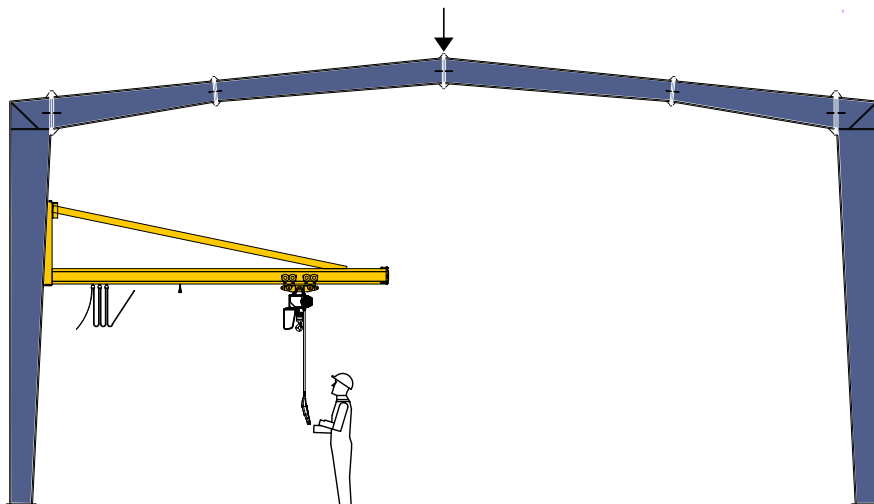
## EOT CRANE



## UNDER SLUNG CRANE



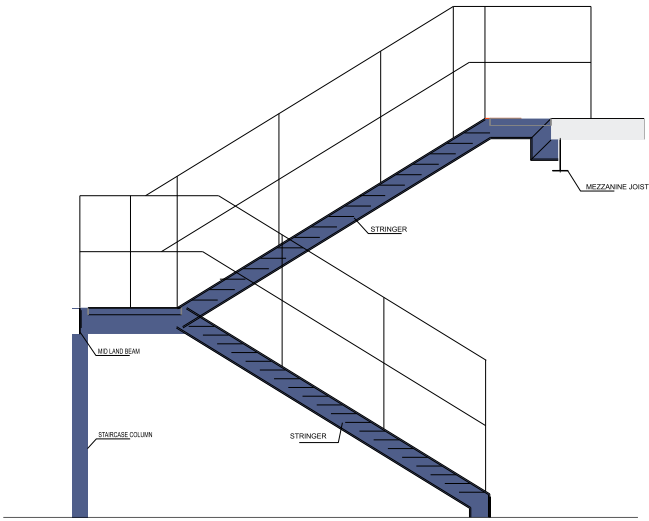
## JIB CRANE



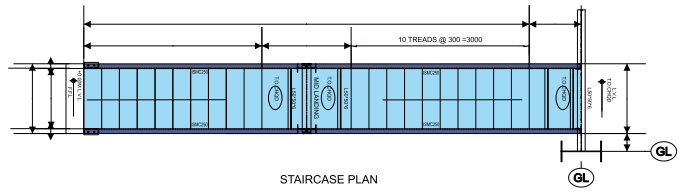
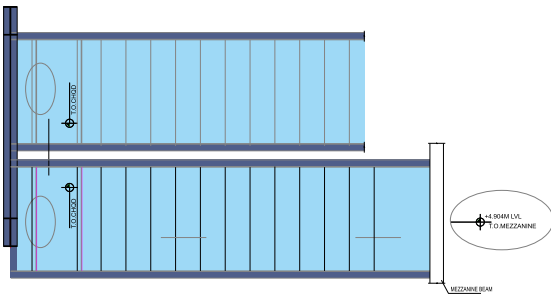
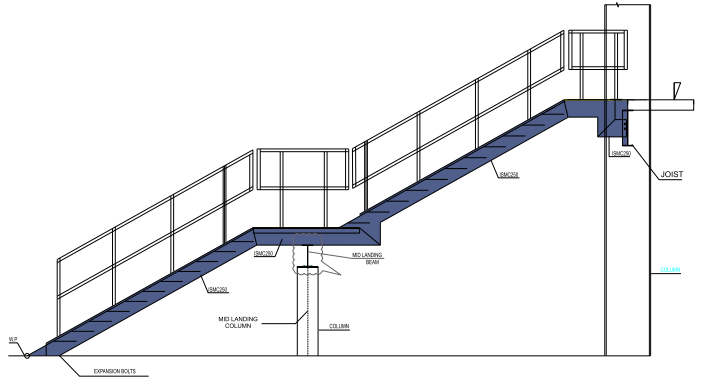


# STAIRCASE

ELEVATION - DOUBLE FLIGHT STAIRCASE

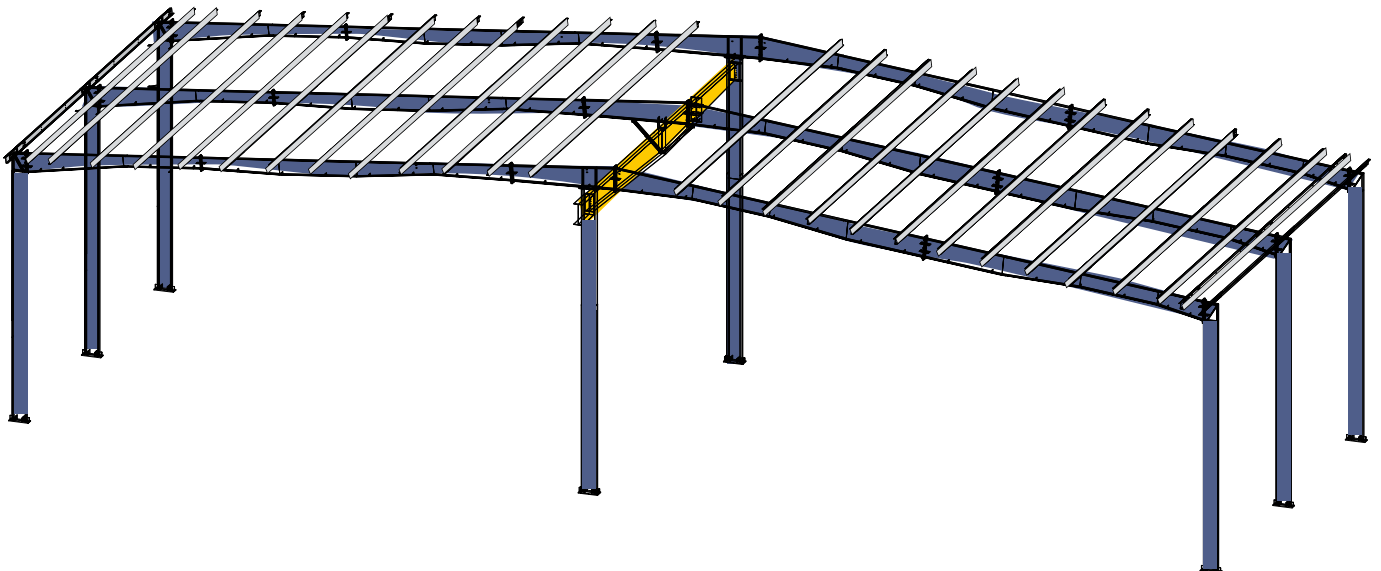


ELEVATION - SINGLE FLIGHT STAIRCASE



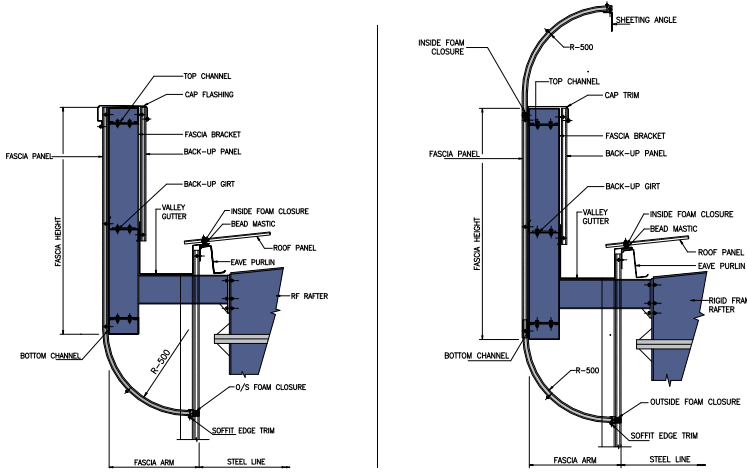
STAIRCASE PLAN

# JACK BEAM



# FASCIA

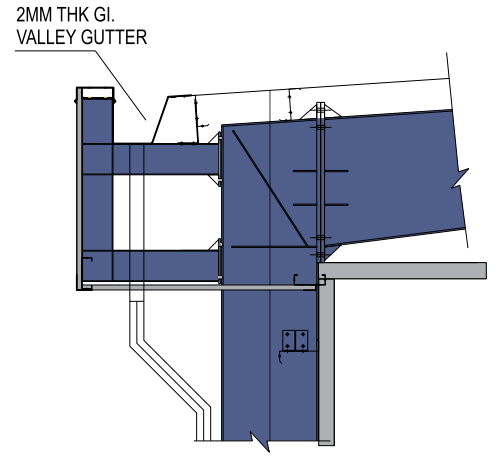
## PROJECTED CURVED FASCIA



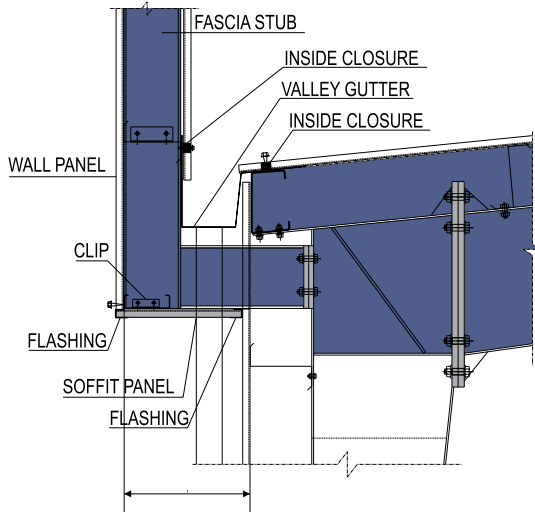
BOTTOM CURVED FASCIA

BOTTOM & TOP CURVED FASCIA

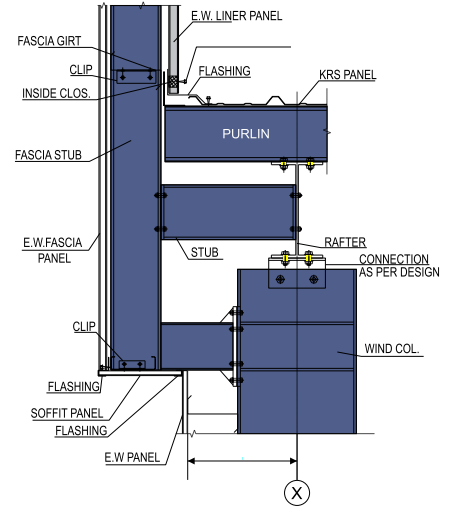
## GUTTER COVERING FASCIA



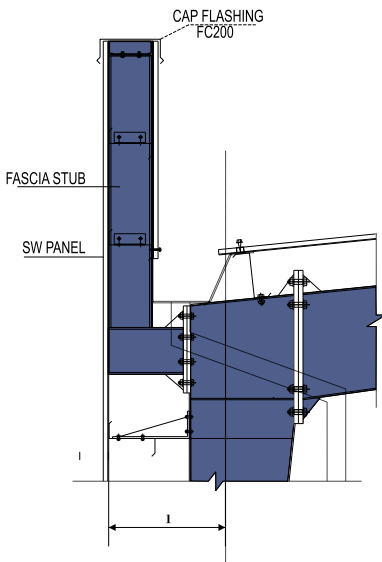
## PROJECTED FASCIA SIDE WALL DETAIL



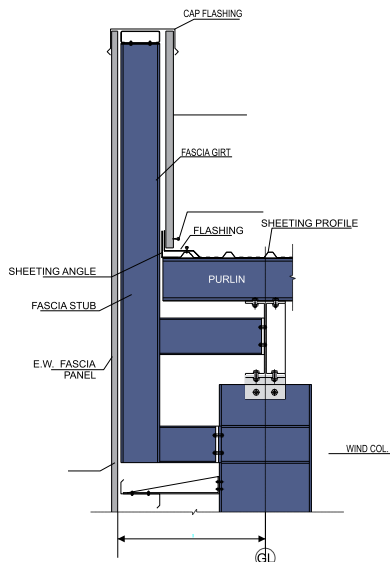
## PROJECTED FASCIA END WALL DET.



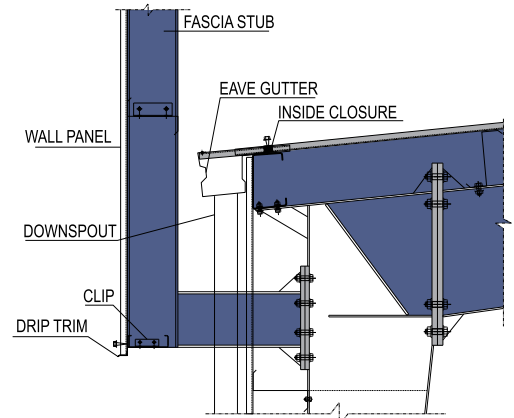
## FLUSH FASCIA SIDE WALL DETAIL



## FLUSH FASCIA END WALL DETAIL



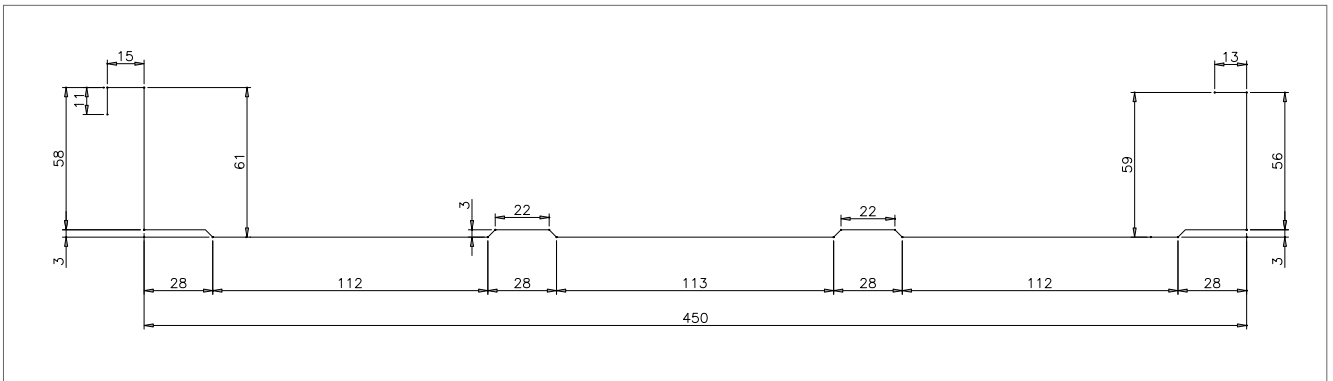
## PROJECTED FASCIA WITH EAVE GUTTER



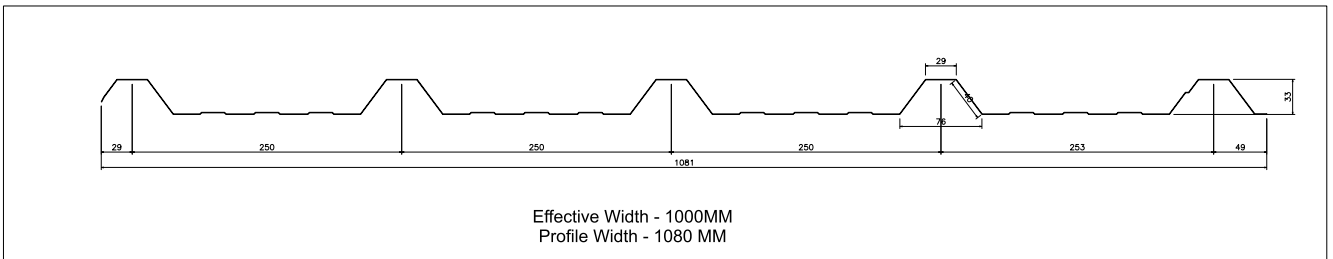


# SHEETING PROFILE

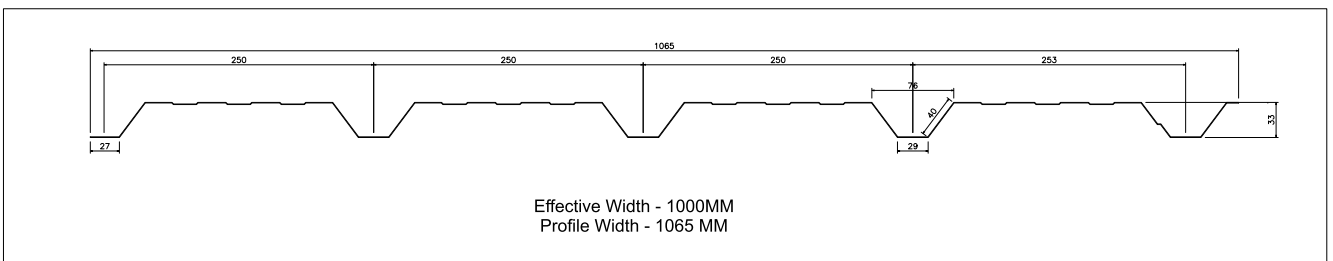
## STANDING SEAM SHEET PROFILE



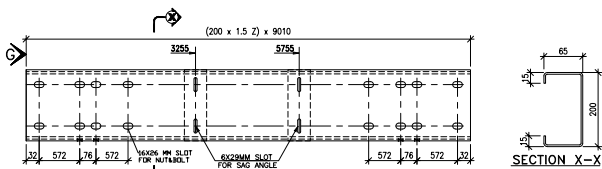
## KSBPL HI-RIB ROOF/SHEET PROFILE



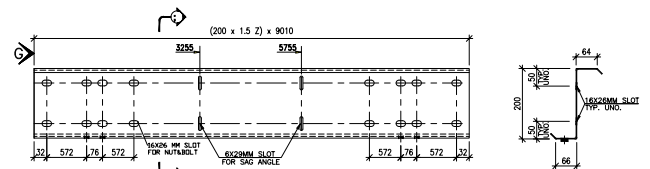
## KSBPL HI-RIB REVERSE



## C-Z PROFILE



200C SECTION COMMON DETAIL



200 Z SECTION COMMON DETAIL

## STANDARD SHEETING COLOR

**RAL 9002**  
OFF WHITE



**RAL 5012**  
SKY BLUE



**RAL 7037**  
GREY



**TAURUS**  
BLUE



**MIST**  
GREEN



**BARE**  
GALVALUME



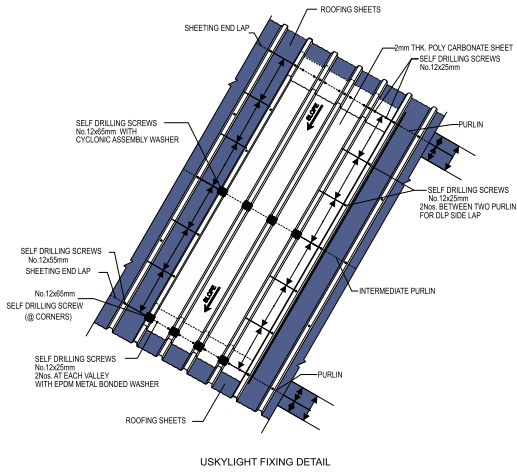
# STANDARD FLASHINGS & TRIMS

<p><b>STRETCH OUT 451</b> GABLE TRIM (GT1)</p>	<p><b>STRETCH OUT 610</b> RAVE GUTTER (GU1)</p>	<p><b>STRETCH OUT 332</b> RAVE TRIM (ET1)</p> <p><b>STRETCH OUT 451</b> HIGH RAVE TRIM (HET1)</p>	<p><b>STRETCH OUT 400</b> OUTSIDE CORNER TRIM (OT1)</p>
<p><b>GENERAL NOTES:</b> ◀ - DENOTES COLOR SIDE OF FLASHING</p> <p><b>STRETCH OUT 200</b> FASCIA SILL TRIM (FST-1)</p> <p><b>STRETCH OUT 125</b> FASCIA SILL TRIM (FST-2)</p>	<p><b>STRETCH OUT 300</b> MASONARY TRIM--MT1</p> <p><b>STRETCH OUT 160</b> DRIP TRIM(DT1)</p>	<p><b>STRETCH OUT 413</b> TRANSITION TRIM (TT1)</p> <p><b>STRETCH OUT 150</b> JAMB TRIM (JT1)</p>	<p>WINDOW JAMB TRIM</p> <p><b>STRETCH OUT 355</b> JAMB TRIM (JT2-200)</p> <p><b>STRETCH OUT 405</b> JAMB TRIM (JT2-250)</p>
<p><b>STRETCH OUT 507</b> CAP FLASHING FOR 200Z--FC200</p>	<p><b>STRETCH OUT 557</b> CAP FLASHING FOR 250Z--FC250</p>	<p>WINDOW BOTTOM TRIM</p> <p><b>STRETCH OUT 385</b> BOTTOM TRIM (BT1-200)</p> <p><b>STRETCH OUT 435</b> BOTTOM TRIM (BT1-250)</p>	<p><b>STRETCH OUT 330</b> TF-01</p> <p><b>STRETCH OUT 406</b> INSIDE CORNER TRIM (IT1)</p>
<p><b>STRETCH OUT 300</b> FASCIA TRANSITION FLASHING (FT1) UNIT WEIGHT - 1.18</p>	<p>APRON TRIM --</p> <p><b>STRETCH OUT 200</b> AT-2</p> <p><b>STRETCH OUT 405</b> AT-1</p> <p>APRON TRIM</p>	<p><b>STRETCH OUT 88</b> SP</p> <p><b>STRETCH OUT 370</b> ANGLE TRIM (ANT1)</p> <p><b>STRETCH OUT 370</b> ANGLE TRIM (ANT2)</p>	<p><b>STRETCH OUT 150</b> BASE ANGLE (BA1)</p> <p>RDG PANEL (RD-1)</p>
<p>STRETCH OUT -- 500X418X0.5THK</p> <p>DOWN TAKE PROFILE</p> <p>DS-004 75 DEG (BEND DOWN) DOWNSPOUT ELBOW</p> <p><b>STRETCH OUT 590</b> DOWNTAKE STRAP(DS1)</p>	<p><b>STRETCH OUT 185</b> DOWNTAKE SPACER(DSF1)</p>	<p><b>STRETCH OUT 150</b> RAVE ANGLE (RA1)</p> <p><b>STRETCH OUT 150</b> RAVE ANGLE (RA2)</p> <p><b>STRETCH OUT 150</b> SHEETING ANGLE (SA1)</p> <p><b>STRETCH OUT 100</b> RAKE ANGLE (RA1)</p> <p><b>STRETCH OUT 250</b> SHEETING ANGLE (SA2)</p>	<p><b>STRETCH OUT 150</b> CORNER ANGLE (CA1)</p> <p>GUTTER STRAP (GS1)</p> <p>GUTTER STRAP (GS2)</p> <p>SHEETING SUPPORTING CLIP (SCL1)</p> <p><b>STRETCH OUT 100</b> BEND 90</p>

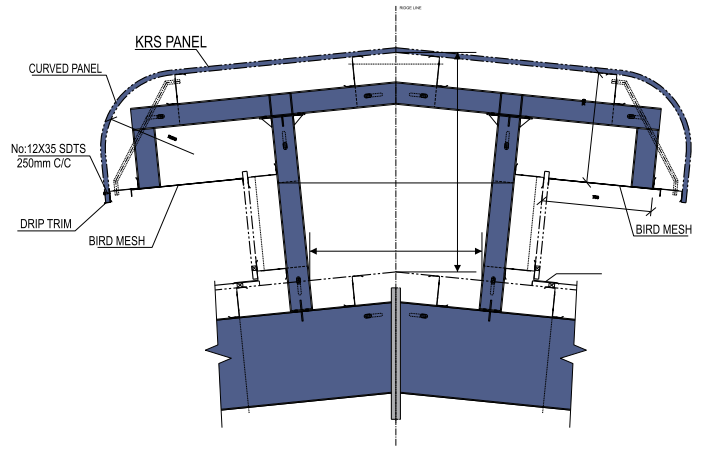


# STANDARD ACCESSORIES

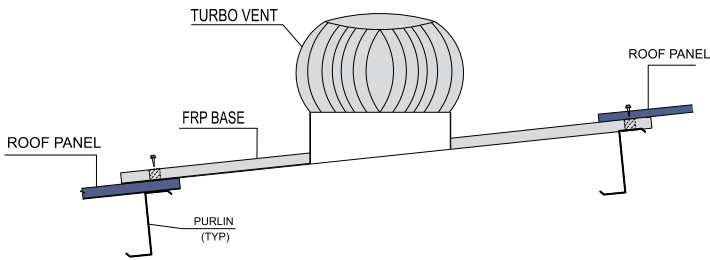
## STANDARD SKY LIGHT PANEL DETAIL



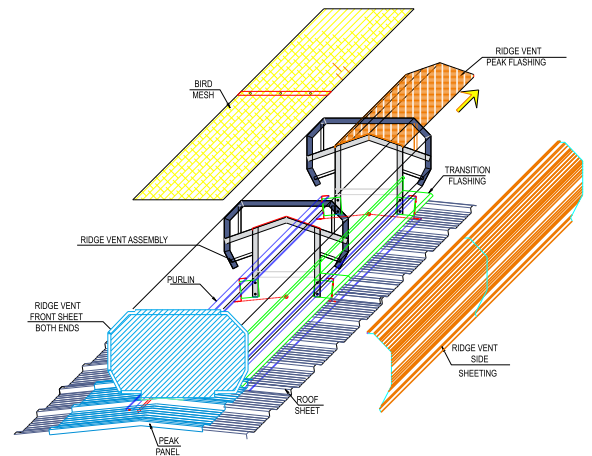
## ROOF MONITOR DETAIL



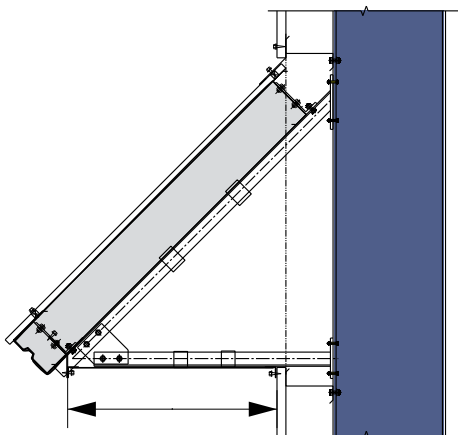
## SECTION AT TURBOVENT PANEL



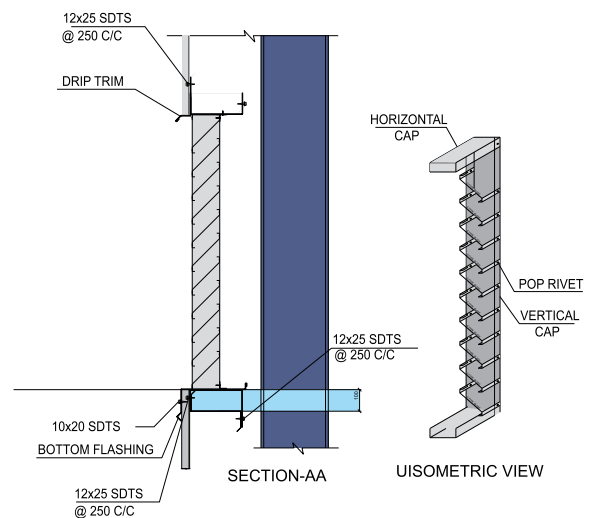
## RIDGE VENT



## INDUSTRIAL LOUVER

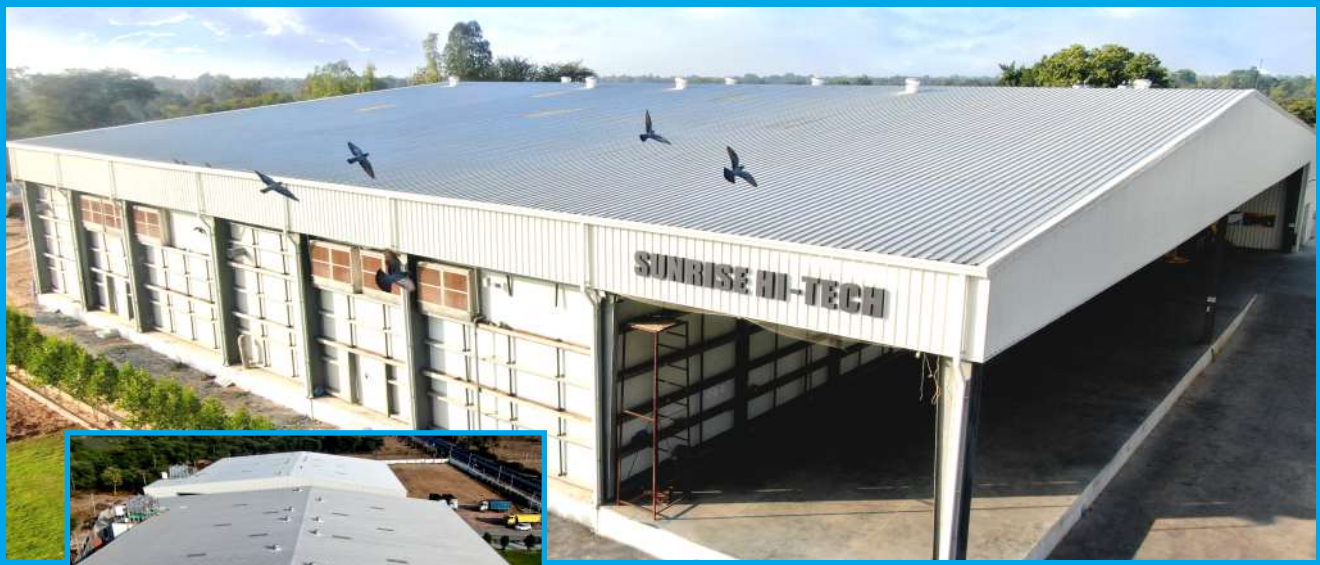


## S TYPE FIXED LOUVERS



# PROJECT PHOTOS

## Sunrise Hi-Tech



### Project Highlights :

- Building Area - 3000 Sq. M
- Designed with Shearing beams
- Project Location - Mehsana

## Nandigram Realtors



### Project Highlights :

- Building Area - 8200 Sq. M
- Project Location - Valsad



## PROJECT PHOTOS

### Shivani Motors (Desai Infrastructure Pvt. Ltd.)



#### Project Highlights :

- Building Area - 9200 Sq. M
- Project Location - Surat

### Lubigel (Distillation Plant & Process Plant)



#### Project Highlights :

- Building Height - 30m
- Mezzanine - 6 Floors
- Project Location - Savli, Vadodara



#### Project Highlights :

- Building Height - 22m (G+4)
- Crane - 8 Nos Mono Rail & 1 No 5MT
- Project Location - Savli, Vadodara

## PROJECT PHOTOS

### Gokul Refoils and Solvents Ltd



#### Project Highlights :

- Building Area - 3000 Sq. M
- Number of buildings - 2
- Project Location - Kandla

### Asset Empire CO



#### Project Highlights :

- Building Area - 10500 Sq. M
- EOT Crane - 5MT
- Mezzanine - 1500 Sq.M
- Project Location - Ahmedabad



# PROJECT PHOTOS

## Gandhi Realty



### Project Highlights :

- Building Area - 10300 Sq. M
- Project Location - Jalisana, Ahmedabad

## CMD Infrastructure (John Engineering)



### Project Highlights :

- Building Area - 3500 Sq. M
- Cranes - 2 Nos. EOT crane each 5 MT capacity
- Project Location - Mehsana

# PROJECT PHOTOS

## Shreyas Infrastructure



### Project Highlights :

- Building Area - 4500 Sq. M
- Project Location - Mundra

## S A Logistics (Ashwika Warehousing)



### Project Highlights :

- Building Area - 3000 Sq. M
- Project Location - Ahmedabad



## PROJECT PHOTOS

### SNK Infranetwork (Zydus Cadila)



#### Project Highlights :

- Building Area - 1715 Sq. M (G+1)
- Project Location - Changodar, Ahmedabad

### Sivanta Infra Projects (Teminous-2)

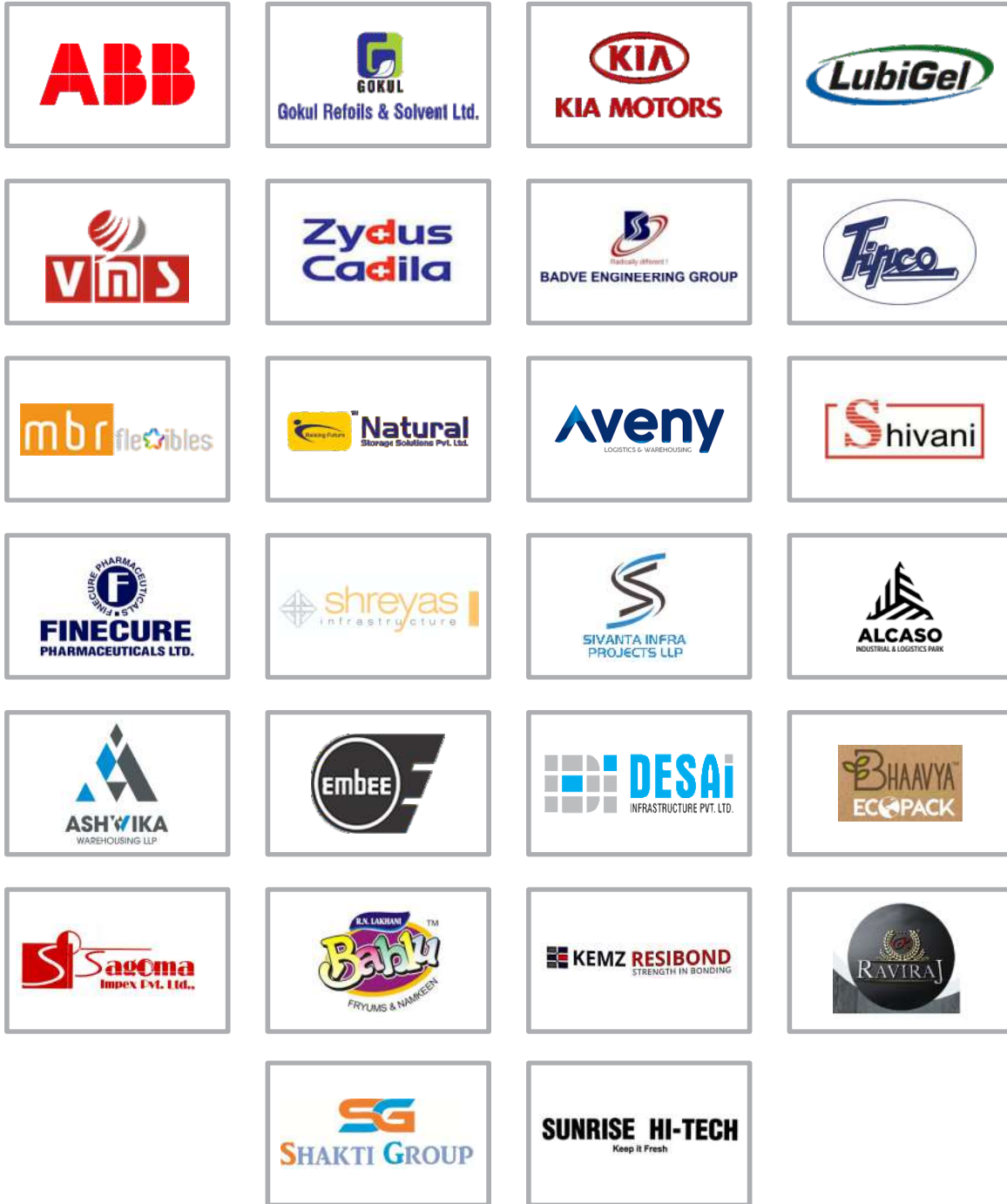


#### Project Highlights :

- Building Area - 33500 Sq. M
- Mezzanine - 3600 Sq. M
- Project Location - Ahmedabad



## OUR VALUABLE CLIENTS



### Corporate Office :

C-1107, The First,  
Behind Keshavbaug Party Plot,  
Vastrapur, Ahmedabad-380 015  
E-mail : info@konartsteel.com  
Call : +91 95376 76627  
+91 90999 02956

### Plant Address :

Survey Number 641-643,  
Village-Rupal, Taluka-Bavla,  
District-Ahmedabad-382 220  
Call: +91 95588 08183  
+91 82792 27182

### Other Locations :

Vadodara  
Surat  
Mumbai  
Hyderabad  
Jaipur